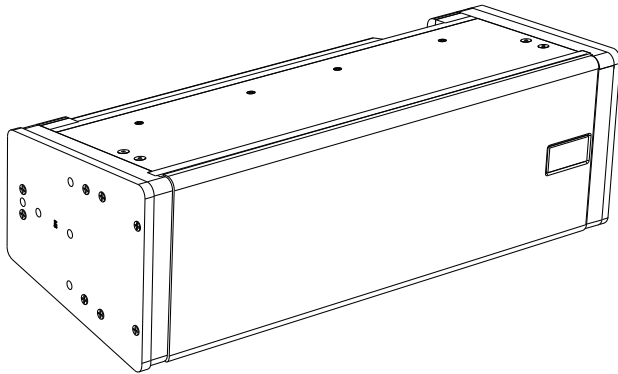


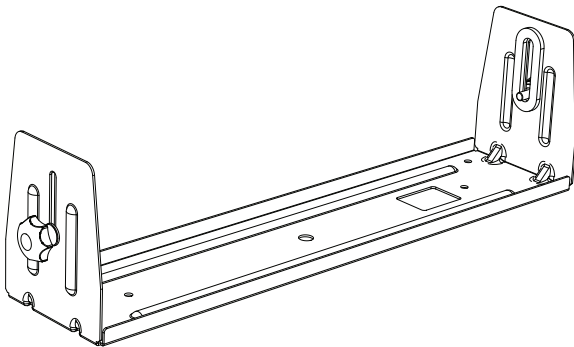
## M1D-SM SINGLE MOUNT LOUDSPEAKER



The M1D-SM loudspeaker is a version of the M1D ultracompact curvilinear array loudspeaker with alternate end plates for single-mount configurations with the M1D-MUB U-bracket. The M1D-SM end plates are constructed of heavy-duty, corrosion-resistant 6061-T6 aluminum and include threaded metric (M8) holes for easy connection to the U-bracket; the end plates are factory-installed on the M1D-SMs and are not available as an upgrade option for M1Ds. The M1D-SM retains the same acoustical and electrical characteristics of the M1D.



M1D-SM Loudspeaker



M1D-MUB U-Bracket



**NOTE:** For complete information on the electrical and acoustical characteristics of the M1D-SM, refer to the *M1D Operating Instructions*.



**NOTE:** The M1D-SM end plates come standard with the unit and are factory-installed. The end plates are not available as an upgrade option for M1D loudspeakers.

### Important Safety Considerations for Rigging!

When installing Meyer Sound loudspeakers, the following precautions should always be observed:

- All Meyer Sound products must be used in accordance with local, state, federal, and industry regulations. It is the owner's and user's responsibility to evaluate the reliability of any rigging method for their application. Rigging should only be carried out by experienced professionals.
- Use mounting and rigging hardware that has been rated to meet or exceed the weight being hung.
- Make sure to attach mounting hardware to the building's structural components (studs or joists), and not just to the wall surface. Verify that the building's structure and the anchors used for the installation will safely support the total weight of the mounted loudspeakers.
- Use mounting hardware appropriate for the surface where the loudspeaker will be installed.
- Make sure bolts and eyebolts are tightened securely. Meyer Sound recommends using Loctite® on eyebolt threads and safety cables.
- Inspect mounting and rigging hardware regularly. Immediately replace any worn or damaged components.

Information and specifications are subject to change. Updates and supplementary information are available on the Meyer Sound website:

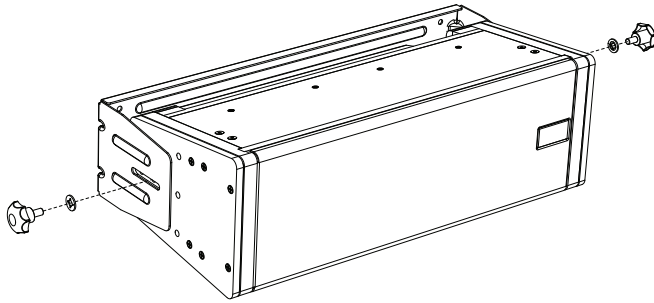
<http://www.meysound.com>

Meyer Sound Technical Support is available at:

- **Tel:** +1 510 486.1166
- **Fax:** +1 510 486.8356
- **Email:** techsupport@meysound.com

## THE M1D-MUB U-BRACKET

The M1D-MUB U-bracket mounts a single M1D-SM on walls, ceilings, and stage lips. The U-bracket's adjustment slot lets you adjust how close the M1D-SM is located to the mounting surface and at what angle the loudspeaker will be positioned.



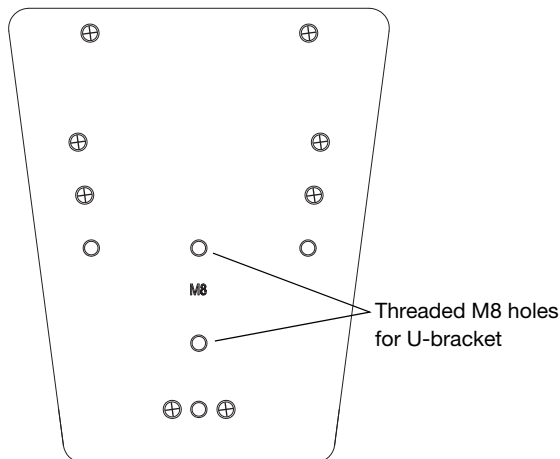
M1D-SM and M1D-MUB U-Bracket

The U-bracket includes the following fasteners for attaching to the M1D-SM end plates:

- Two M8, 16 mm knobs
- Two M8, 16 mm bolts

The knobs should be used for configurations that are installed and removed frequently, or that require frequent adjustments. The bolts should be used for more permanent installations that require minimal adjustments.

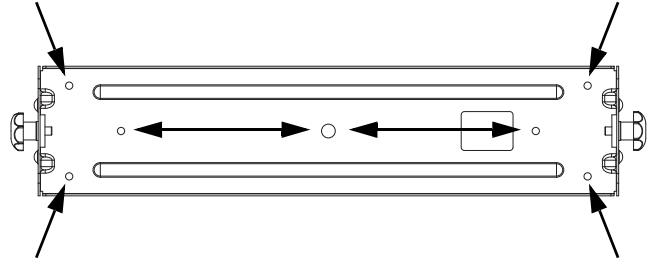
The U-bracket can attach to either of two sets of holes on the M1D-SM end plates, which offers additional flexibility in how closely the M1D-SM is located to the mounting surface.



M1D-SM End Plate

## M1D-MUB U-Bracket Load Ratings

The M1D-MUB U-bracket has five mounting holes for attaching the bracket to mounting surfaces: four 1/4" corner holes, two 1/4" center holes, and one 1/2" center hole.



M1D-MUB U-Bracket Mounting Holes

The load ratings for the U-bracket's mounting holes, when suspending a single M1D-SM loudspeaker, are listed in Table 1.

Table 1: M1D-MUB U-Bracket Load Ratings

Holes	Number of Loudspeakers (with load evenly distributed)	Safety Rating
Four 1/4" corner holes	1	7:1
Two 1/4" center holes	1	7:1
1/2" center hole	1	7:1