

MYA-SB2, HAK-SB2 and VAK-SB2 Multipurpose Yoke Assembly Guide and Load Ratings



MYA-SB2 Multipurpose Yoke Assembly

This guide provides assembly instructions for the MYA-SB2 Multipurpose Yoke Kit. The MYA SB2 is designed for mounting or flying a single SB-2 in the most common applications. The Vertical Links are included for applications where you may be flying a yoke from motor hoists or cables. These Vertical Links are also required when using the VAK-SB2 Vertical Array Kit as shown on page 3 of this document.

40.108.025.01 - MYA-SB2 Multipurpose Yoke Assembly Contents

Item	Qty	M.S. Part Number	Description
A	1	61.108.025.01	MYA-SB2 Yoke Assembly
B	2	61.108.032.01	Vertical Links
C	6	102.660	Coated Screw, Hex Head, .5"-13 x 1.75
D	6	110.037	Coated Nut, Hex nylon locking, .5"-13
E	12	113.531	Washer, Flat .5" Stainless Steel

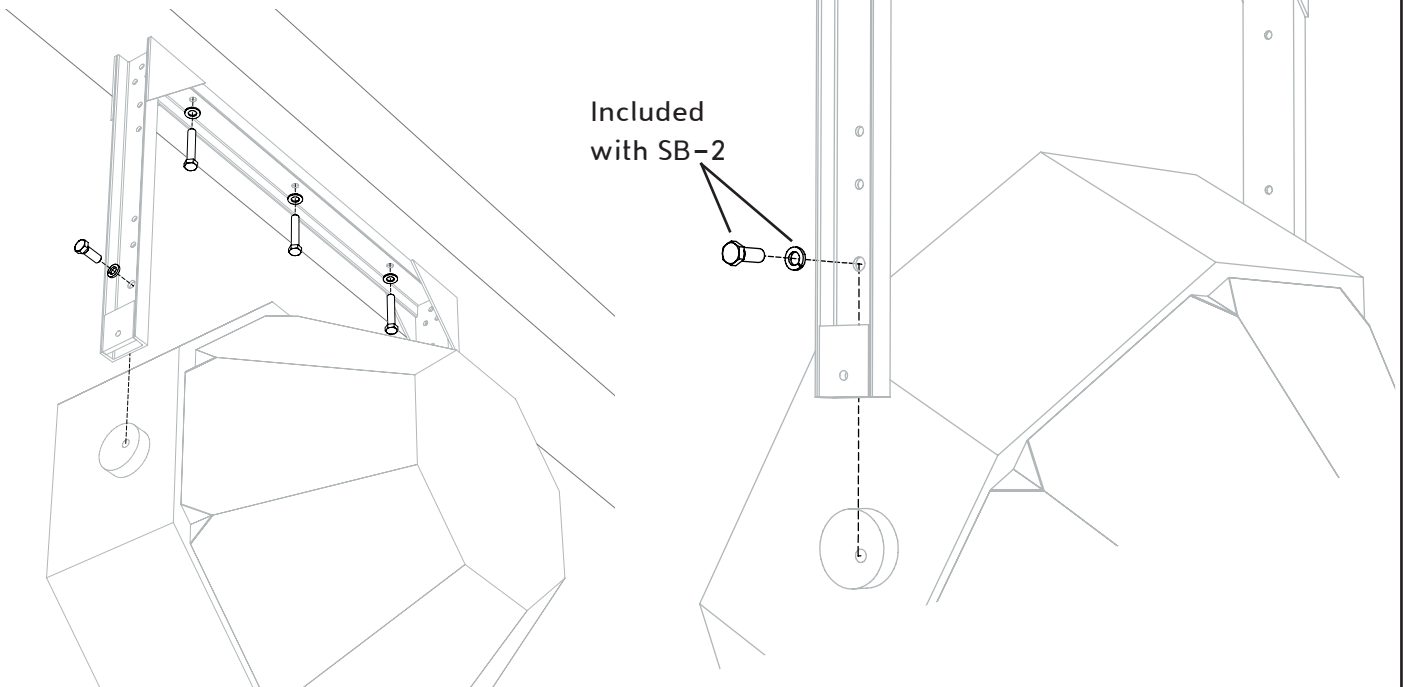
STRAIGHT PULL ATTACHMENT VERTICAL LOAD RATING:	
5:1	7:1
5600 lbs	4000 lbs
2540 kg	1814 kg
14 SB-2s	10 SB-2s

BRIDLE ATTACHMENT
 VERTICAL LOAD RATING:
 NO MORE THAN 1 SB-2

Caution: When flying a single or multiple MYA-SB2s, each and every vertical link must be supported by a rigging point.

When suspending SB-2s, attach the Vertical Links using the hardware provided facing the bevelled edges of the Links inward.

When mounting the MYA-SB2 on a beam or flat surface, use rated hardware as required in locations shown. (not included)



MYA-SB2, HAK-SB2 and VAK-SB2 Multipurpose Yoke Assembly Guide and Load Ratings



HAK-SB2 Horizontal Array Kit (optional)

The HAK-SB2 Horizontal Array Kit adds 4 brackets to the sides of a single yoke. These brackets will hold multiple yokes in either a 15 or 20 degree splay angle, or in a straight row. Once attached, the yokes can be quickly pinned together for touring applications or temporary installations.

40.108.026.02 - HAK-SB2 Horizontal Array Kit Contents

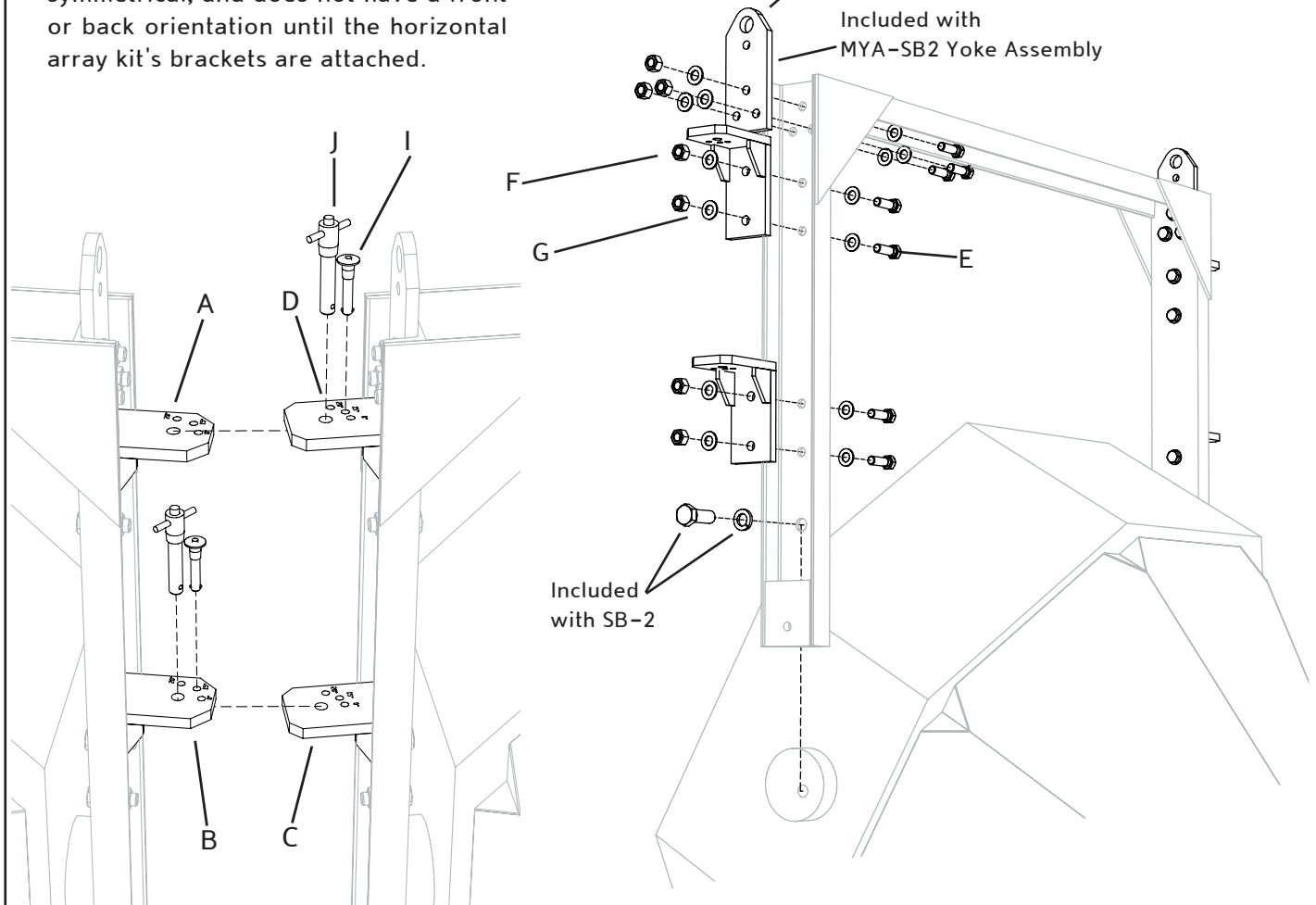
Item	Qty	M.S. Part Number	Description
A	1	61.108.028.01	Upper Right Horizontal Array Kit Bracket
B	1	61.108.029.01	Lower Right Horizontal Array Kit Bracket
C	1	61.108.030.01	Lower Left Horizontal Array Kit Bracket
D	1	61.108.031.01	Upper Left Horizontal Array Kit Bracket
E	8	102.660	Coated Screw, Hex Head, .5"-13 x 1.75
F	8	110.037	Coated Nut, Hex nylon locking, .5"-13
G	16	113.531	Washer, Flat .5" Stainless Steel
I	2	134.020	Quick Release Pin, .31" x 1.25"
J	2	134.007	Quick Release Pin, .5" x 2.5"

STRAIGHT PULL ATTACHMENT VERTICAL LOAD RATING:	
5:1	7:1
5600 lbs	4000 lbs
2540 kg	1814 kg
14 SB-2s	10 SB-2s

BRIDLE ATTACHMENT
 VERTICAL LOAD RATING:
 NO MORE THAN 1 SB-2

Caution: When flying a single or multiple MYA-SB2s, each and every vertical link must be supported by a rigging point.

Note: The Multipurpose Yoke itself is symmetrical, and does not have a front or back orientation until the horizontal array kit's brackets are attached.



MYA-SB2, HAK-SB2 and VAK-SB2 Multipurpose Yoke Assembly Guide and Load Ratings



VAK-SB2 Vertical Array Kit (optional)

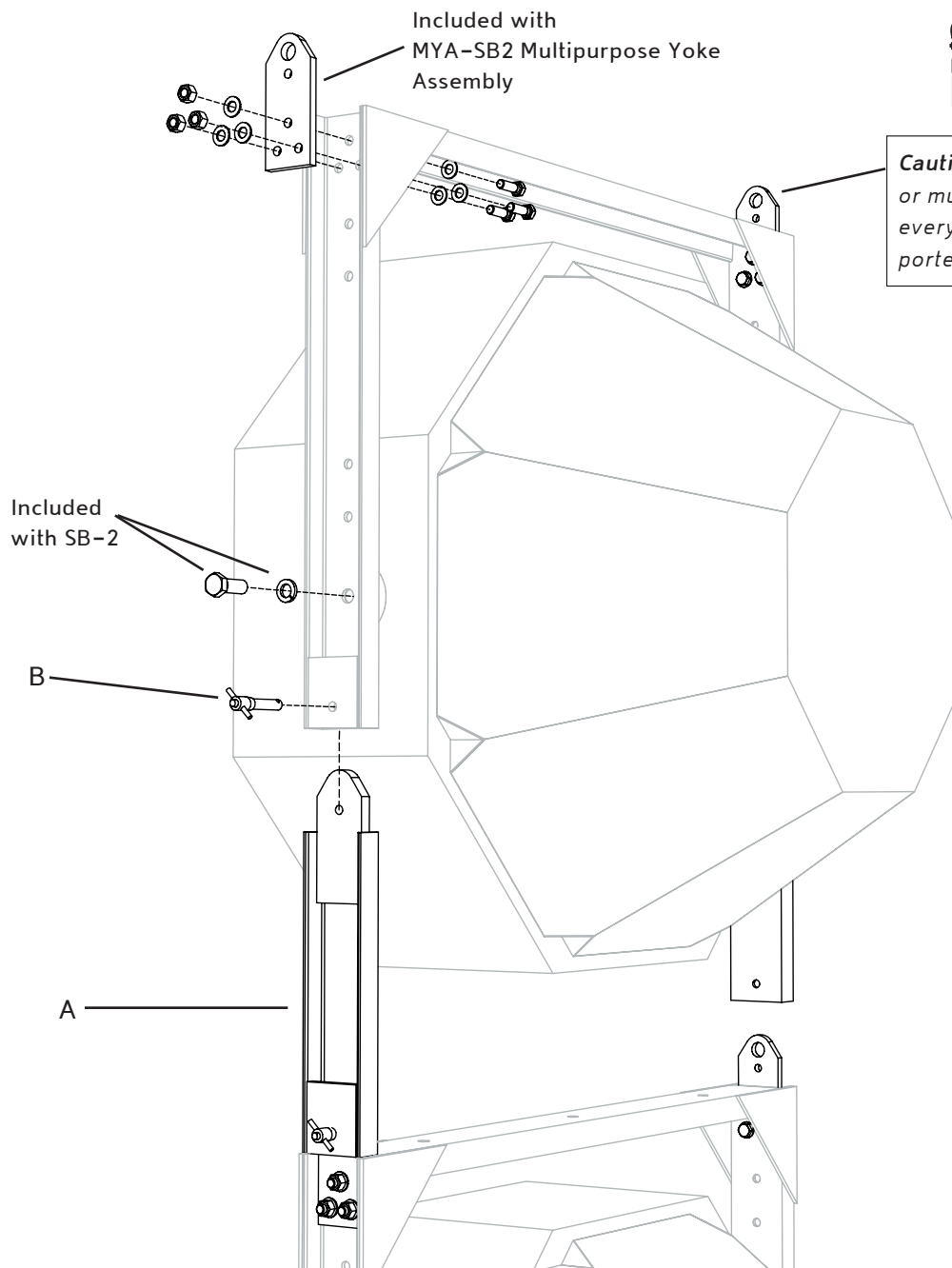
The VAK SB2 Vertical Array Kit provides two vertical extension brackets for arraying up to 14 (10 at 7:1) SB-2's into a straight column. The yokes can be quickly pinned together for touring or temporary installations.

40.108.026.01 - VAK-SB2 Vertical Array Kit Contents

Item	Qty	M.S. Part Number	Description
A	2	61.108.026.01	SB-2 Vertical Extender
B	4	134.007	Quick Release Pin, .5" x 2.5"

STRAIGHT PULL ATTACHMENT VERTICAL LOAD RATING:	
5:1	7:1
5600 lbs	4000 lbs
2540 kg	1814 kg
14 SB-2s	10 SB-2s

BRIDLE ATTACHMENT
 VERTICAL LOAD RATING:
 NO MORE THAN 1 SB-2



Caution: When flying a single or multiple MYA-SB2s, each and every vertical link must be supported by a rigging point.

Meyer Sound Laboratories, Inc.
 2832 San Pablo Avenue
 Berkeley, California 94702
 T: +1 510 486.1166
 F: +1 510 486.8356
 www.meyersound.com