

Preliminary Specifications

ACOUSTICAL

Operating frequency range ¹	70 Hz –18 kHz
Maximum peak SPL ²	128 dB
Horizontal coverage	100°
Vertical coverage	Varies, depending on array length and configuration

TRANSDUCERS

Low/low-mid frequency	Two 6.5" cone drivers with neodymium magnets Nominal impedance: 4 Ω Voice coil size: 1.5"
High frequency ³	3" compression driver Nominal impedance: 8 Ω Voice coil size: 3" Diaphragm size: 3" Exit size: 1.2"

AUDIO INPUT

Type	Differential, electronically balanced
Connectors	Female XLR input with male XLR loop output
Input impedance	10 k Ω differential between pins 2 and 3
Wiring	Pin 1: Chassis/earth through 220 k Ω , 1000 pF, 15 V clamp network to provide virtual ground lift at audio frequencies Pin 2: Signal + Pin 3: Signal – Case: Earth ground and chassis
Nominal input sensitivity	0 dB V (1 V rms, 1.4 V pk) continuous is typically the onset of limiting for noise and music.
Input level	Audio source must be capable of producing +20 dBV (10 V rms, 14 V pk) into 600 Ω in order to produce maximum peak SPL over the operating bandwidth of the loudspeaker

AMPLIFIERS

Amplifier type	Three-channel class D amplifier
Output power ⁴	950 W (three channels; 2 x 380 W, 1 x 190 W); 1900 W peak
THD, IM TIM	< .02%
Load capacity	4 Ω low and mid; 8 Ω high channel
Cooling	Convection cooled

AC POWER

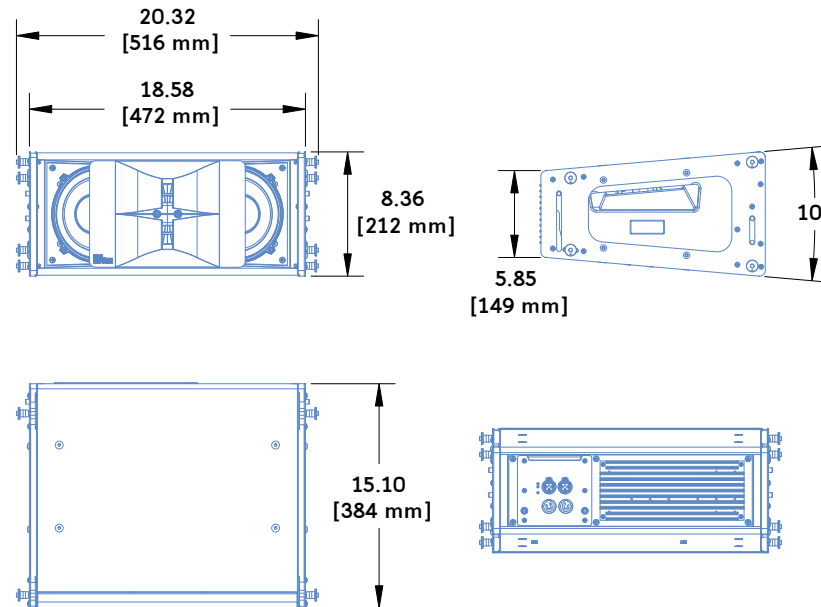
AC power connector	PowerCon with looping output
Voltage selection	Automatic
Safety agency rated operating voltage	100 V AC –240 V AC, 50/60 Hz
Turn on/turn off points	90 V AC –264 V AC, 50/60 Hz
Avg Current Draw	3 A rms (115 V AC), 1.5 A rms (230 V AC), 3.5 A rms (100 V AC)

RMS NETWORK

Equipped with two-conductor twisted-pair network, reporting all operating parameters of amplifiers to system operator's host computer.

PHYSICAL

Enclosure	Premium birch plywood
Finish	Black textured
Protective grille	Powder-coated, hex-stamped steel, black mesh
Rigging	QuickFly rigging with four captive GuideALinks in the bottom corners of two end frames, secured with quick-release pins
Dimensions	18.58" w x 8.36" h x 15.1" d (472 mm x 212 mm x 384 mm)
Weight	47 lbs (21.32 kg)



- 1 Recommended maximum operating frequency range. Response depends upon loading conditions and room acoustics.
- 2 Free field, calculated referred to 1 meter.
- 3 The driver is coupled to a 100-degree-horizontal constant-directivity horn through a proprietary acoustical combining manifold
- 4 Amplifier wattage rating based on the maximum unclipped burst sine-wave rms voltage that the amplifier will produce for at least 0.5 seconds into the nominal load impedance: 39 V rms. Peak power based on the maximum unclipped peak voltage that the amplifier will produce for at least 100 milliseconds into the nominal load impedance: 55 V peak.